

GE-685

Pro'sKit®

RACER SOLAR

SCIENCE KIT 太陽能小賽車

太陽能小賽車



Assembly & Instruction
Manual

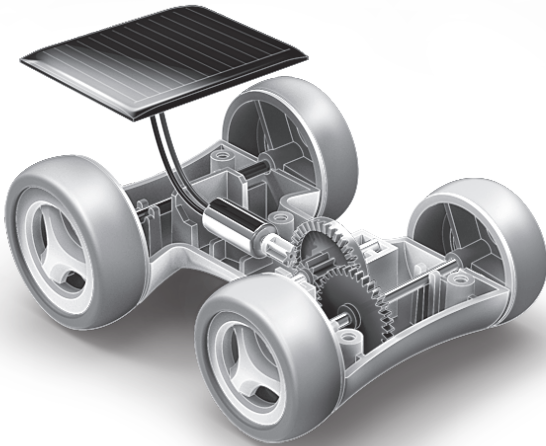
組裝說明手冊

Keeping the instructions for future reference

目錄

Contents

產品介紹 Product Introduction	1
自備工具 Tool You May Need	1
零件清單 Mechanical Parts List	1
塑膠模型零件 Plastic Parts	2
小技巧提醒 Tip	2
組裝說明 Mechanical Assembly	3
裝飾貼紙 Sticker	10
遊戲方式 It's time to have some FUN !	11



RACER SOLAR

SCIENCE KIT 太陽能小賽車

產品介紹 Product Introduction

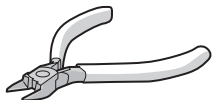
不用電池!不用電池!不用電池!(很重要所以說三次)。這款只要有足夠陽光照耀就能開跑的太陽能小賽車，永遠不用擔心缺電這件事! 手做自組太陽能小賽車全部僅23個零件，只要你有一把好用的斜口鉗、靈巧的雙手跟著說明書一步步做，就能輕鬆打造一台專屬的小車車!

Let's have a racing game with the little solar racer. No batteries required but only the sunny weather. Making good use of the endless power and enjoy the ride.

The little racer harnesses the energy from the sun to power an electric motor that gets it moving. With only 23 parts and surprisingly no screw at all, kids need nothing but a diagonal cutter during the assembly. Looking for a real experience with solar power? This unique racing car demonstrates the solar basics in an easy-comprehensive way while offering great fun. Let's take a ride to future of clean energy!

自備工具

Tool You May Need



斜口鉗(寶工型號: PM-200 或 PM-202)
Diagonal Cutter


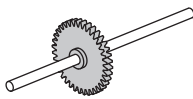


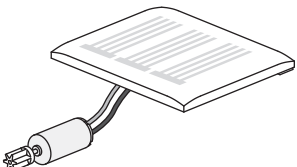



警告 Warning

1. 本玩具內含小物件，請勿讓三歲以下孩童取得，以免放入口中造成窒息。
Choking hazard - Small parts. Not for children under 3 years.
2. 兒童使用剪切工具時，請家長指導使用方式，並請在家長監督下使用，以免發生意外。
Adult supervision is recommended when children use scissors.
3. 為避免嬰兒或兒童產生窒息的危險，請於拆卸後立即將塑膠袋銷毀或遠離嬰兒及兒童。
To avoid danger of suffocation, keep the plastic bag away from babies and children.

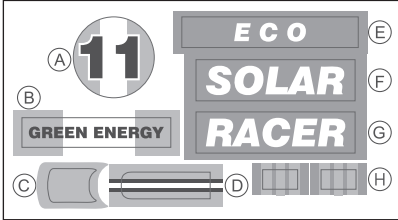
零件清單 Mechanical Parts List

! 部分產品含有銳利邊角，組裝時請特別注意
Product contains functional edges and sharp points.

P1	齒輪 Gear (Red)	QTY	P2	圓軸齒輪組 Gear with Shaft	QTY	P3	泡棉 Sponge	QTY
		1		1		2		
P4	圓軸(短) Round Shaft (Short)	QTY			P6	太陽能板馬達組 Solar Panel with Motor	QTY	
		1				1		
P5	圓軸(長) Round Shaft (Long)	QTY						
		1						
<p>! 請不要連接電源線 Don't connect the wires to the mains.</p>								

P7

裝飾貼紙 Sticker



QTY

1



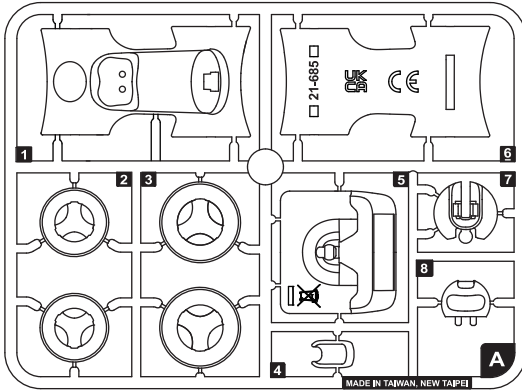
此產品為模型組裝，
經拆封修剪或包裝不完整，恕不退換
Goods cut are not returnable.

裝飾模型零件 Plastic Parts

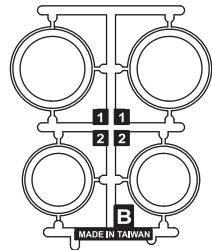


請依照組裝步驟將所需的零件剪下，事先全數剪下會在組裝時造成混淆。
Cut the plastic parts when they are required.
Do not cut them in advance.

A



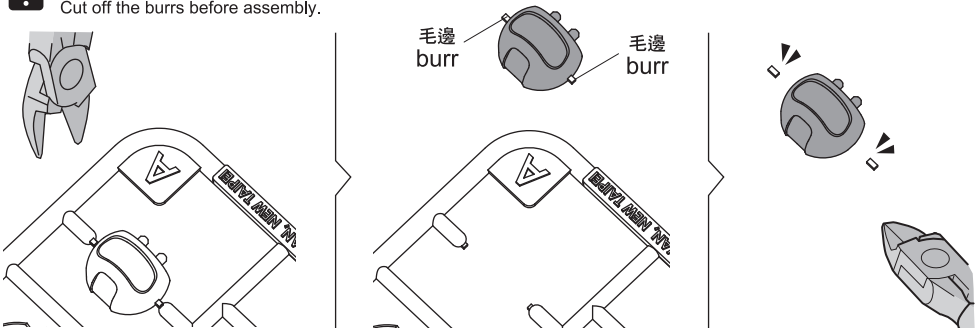
B



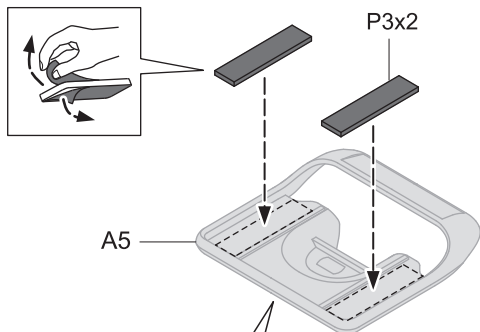
小技巧提醒 Tip



請將毛邊修剪乾淨
Cut off the burrs before assembly.



1



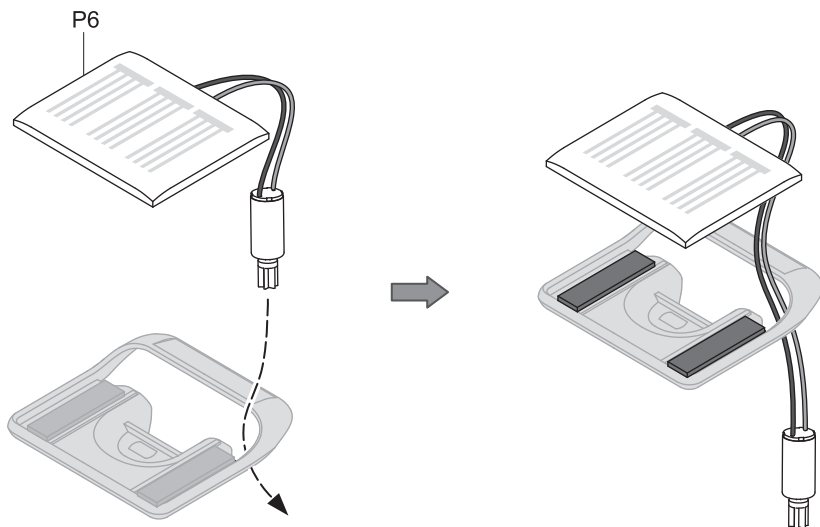
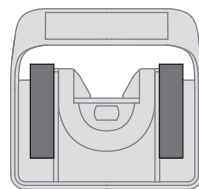
✓ 正確
Correct



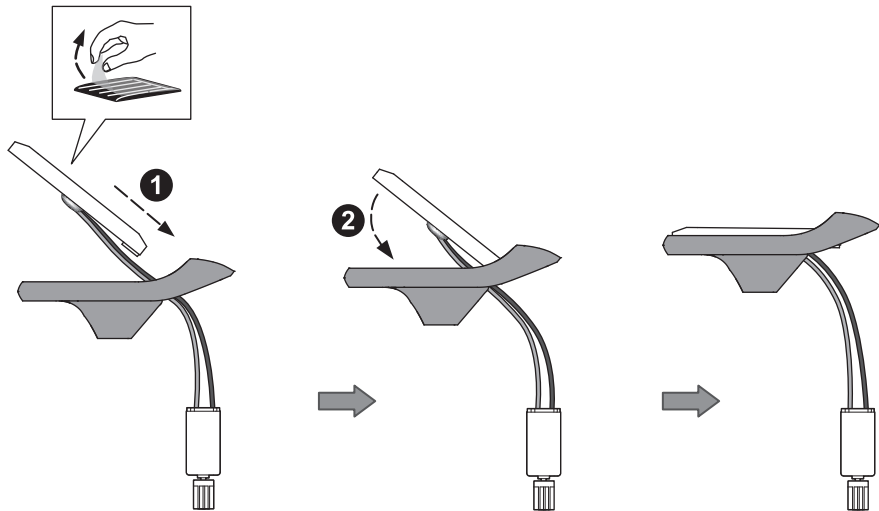
✗ 錯誤
Incorrect



✗ 錯誤
Incorrect



2



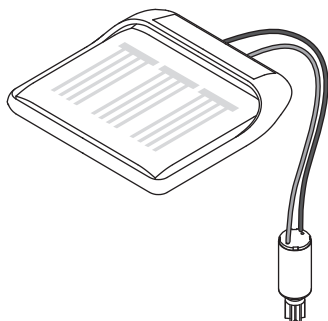
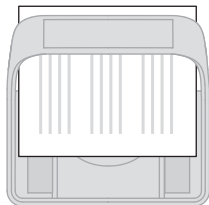
✓ 正確
Correct



✗ 錯誤
Incorrect



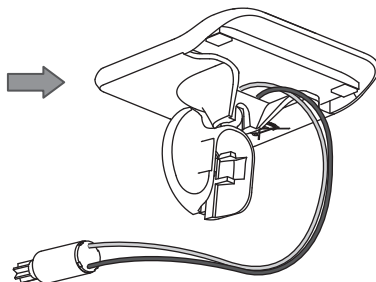
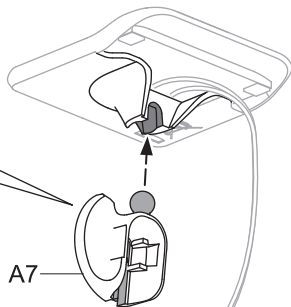
✗ 錯誤
Incorrect



3



正確
Correct



錯誤
Incorrect

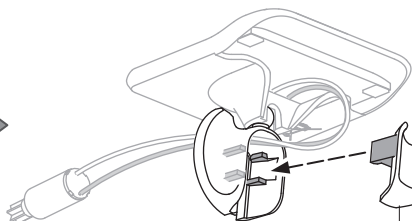
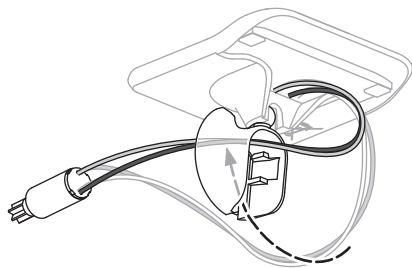


請將毛邊修剪乾淨
Cut off the burrs before assembly.

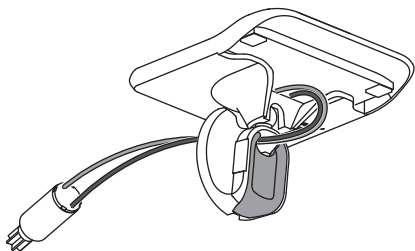
毛邊
burr



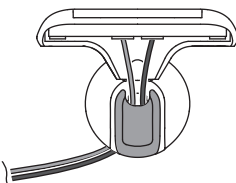
毛邊
burr



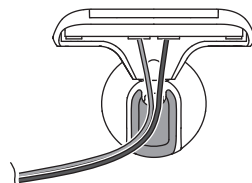
A4



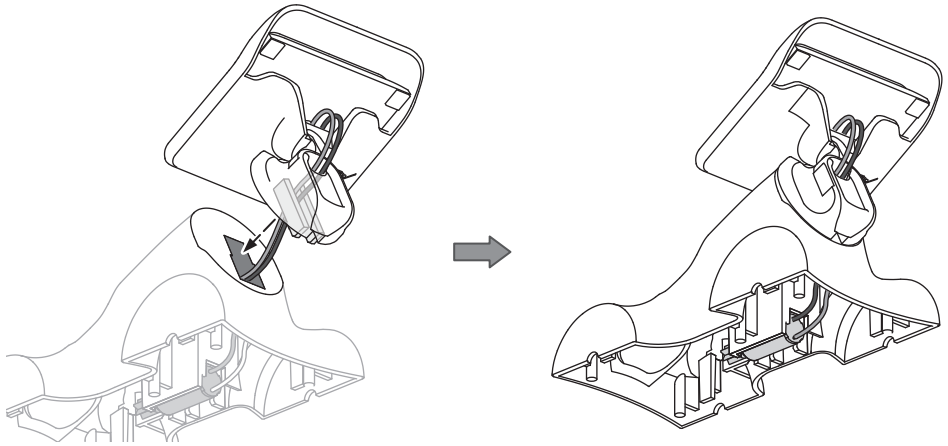
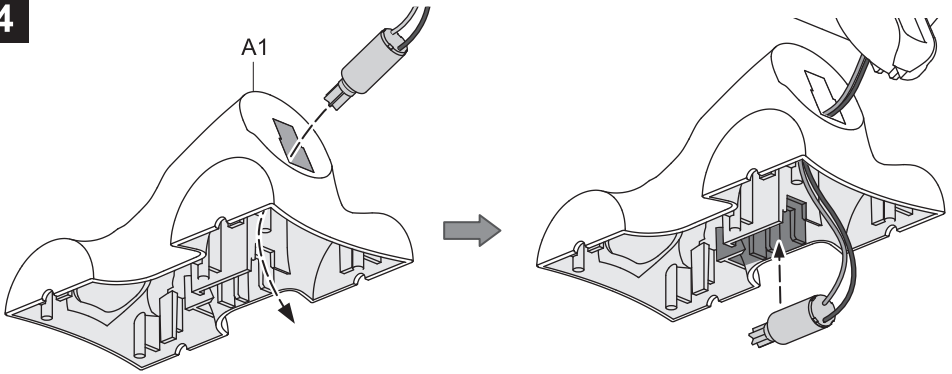
正確
Correct



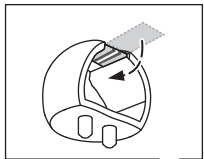
錯誤
Incorrect



4



5

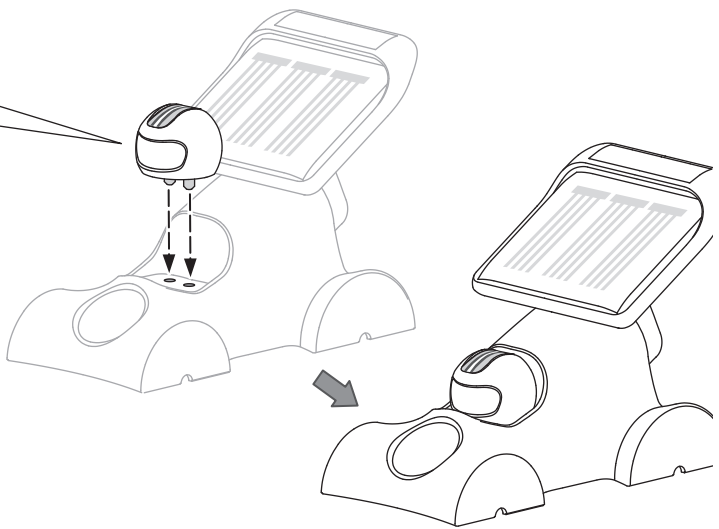


P7

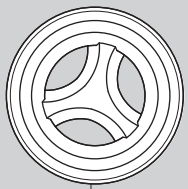
1

2

A8



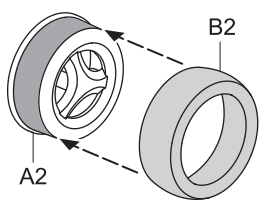
6



A2x2

1:1

前輪 Front Wheel

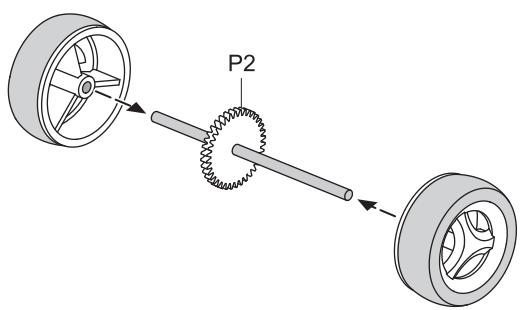


A2

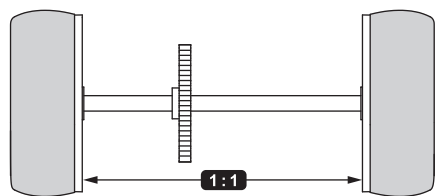
B2



x2

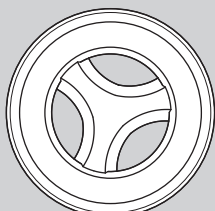


P2



1:1

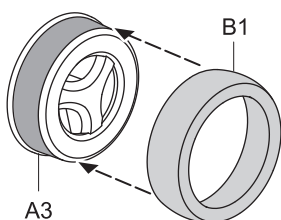
7



A3x2

1:1

後輪 Rear Wheel

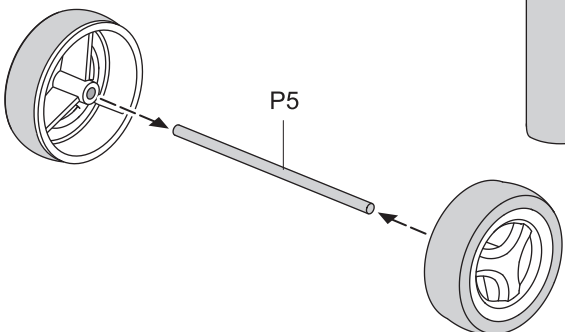


A3

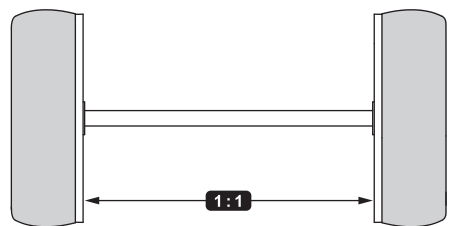
B1



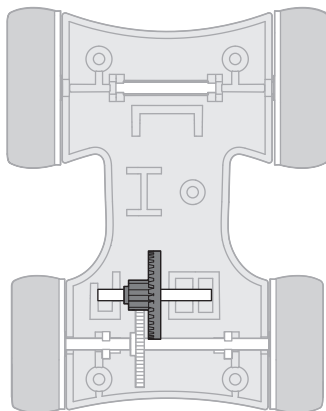
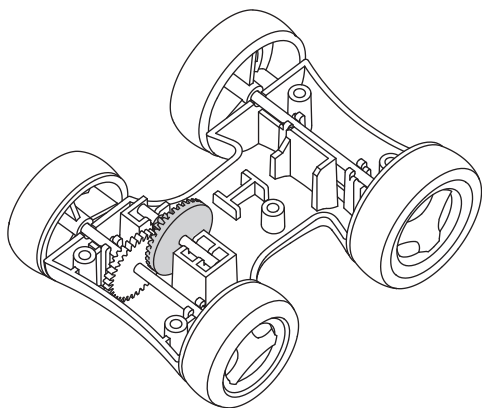
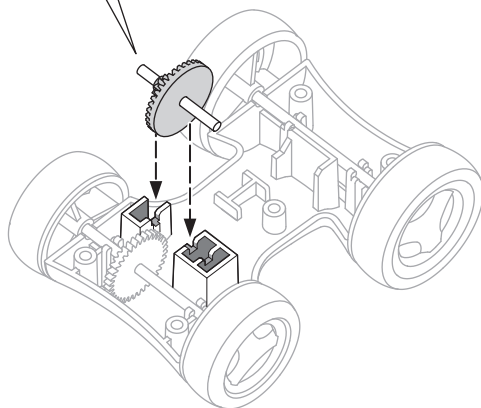
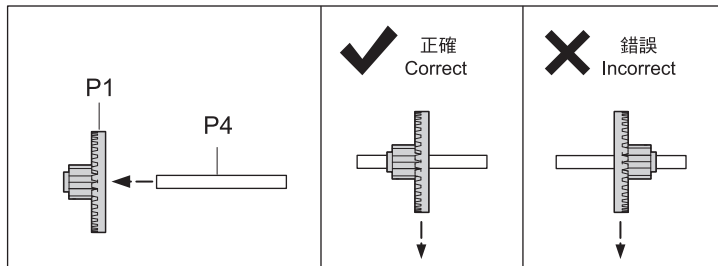
x2



P5

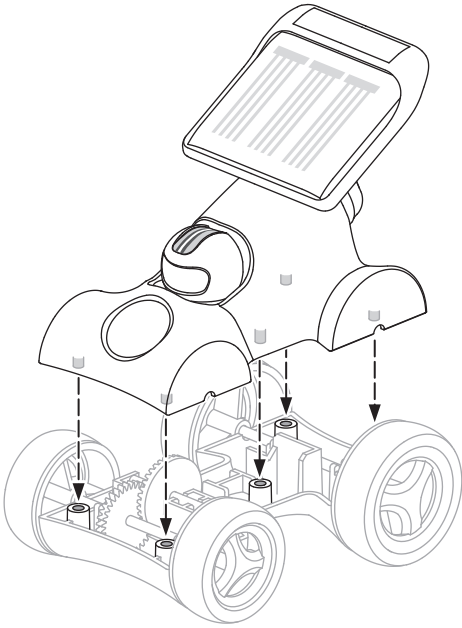


1:1

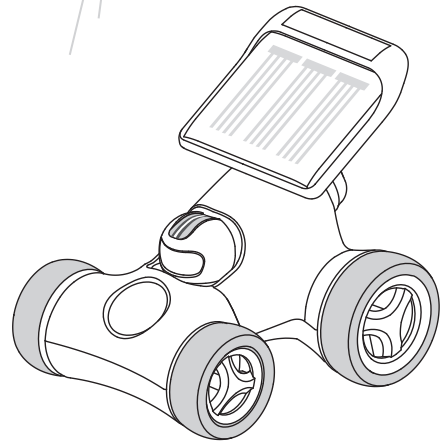
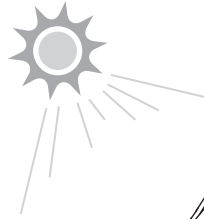


俯視圖
Top View

10

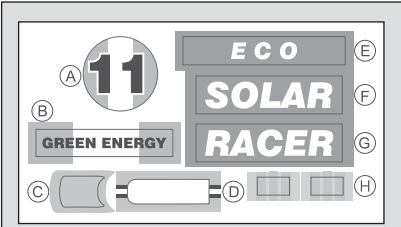


11

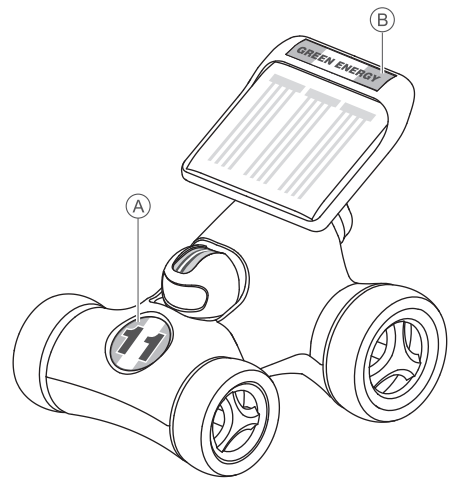


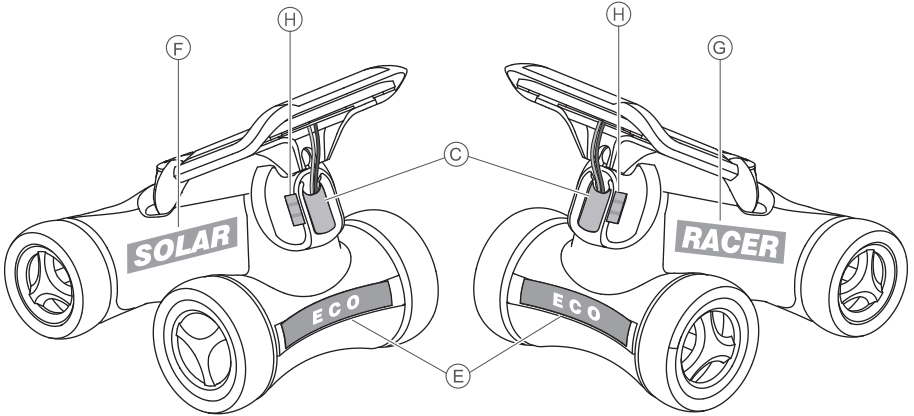
恭喜完成
Ready to Run!

裝飾貼紙 Sticker

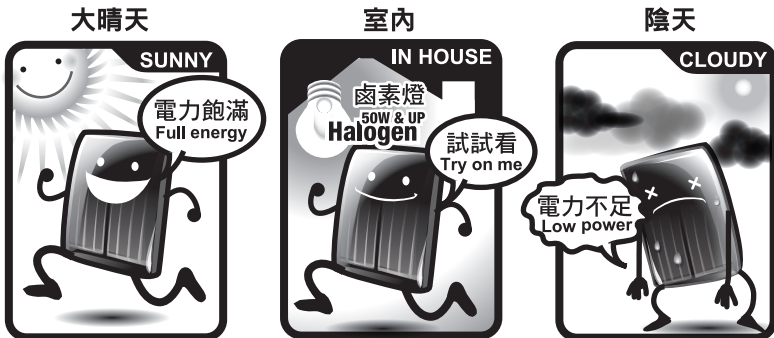


P7 裝飾貼紙 Sticker





遊戲方式 It's time to have some FUN !



1. 請在陽光充足的日子，戶外陽光直射下能得到最佳的遊玩效果。
Take it outside under direct sunlight. Best results are obtained when operating on a sunny day.
2. 室內遊玩請使用50瓦鹵素燈。
For indoor fun, use a 50 watt halogen light.
3. 以下狀況無法使玩具移動: 陰天、陰暗處、間接光線、螢光燈等。
The product will not run on a cloudy day, shaded locations, indirect sunlight or under a fluorescent light.
4. 太陽強度簡易辨識: 在太陽下手掌接近地面，可清楚看到手掌影子的邊緣線條，若邊緣線條模糊，表示強度不足，玩具可能移動緩慢或不移動。
Sunlight intensity recognition: Keep palm close to the ground, the shadow shall be appeared with sharp edge; if not, the sunlight is considered weak. The product will not run or move slowly under insufficient sunlight.

若需要購買零件，請參照以下零件表

When ordering parts, please include the following

1. 請留下訂購人姓名、寄送地址、連絡電話、E-mail
Name, address (no P.O. Box), telephone number, and email address.
2. 請註明產品名稱、產品型號、零件名稱、零件型號以及數量
Model name and model number. Part number, part name, and quantity.
3. 如有任何需求，請洽您的經銷商
Please contact local distributor if any query.

--

GE-685 太陽能小賽車 Racer Solar Science Kit

零件表 Parts List

零件型號 Part Number	零件名稱 Part Name	數量 Qty
5GE-63500P1	齒輪 Gear (Red)	
5GE-63500P2	圓軸齒輪組 Gear with Shaft	
5GE-63500P3	泡棉 Sponge	
5GE-63500P4	圓軸(短) Round Shaft (Short)	
5GE-63500P5	圓軸(長) Round Shaft (Long)	
5GE-63500P6	太陽能板馬達組 Solar Panel with Motor	
5GE-63500P7	裝飾貼紙 Sticker	



此產品為模型組件拆封修剪或包裝不完整，恕不退换

Goods cut are not returnable.



警告及注意事項

內含小零件，請勿讓三歲以下孩童使用，避免誤食危險。
不可對著人臉和眼部衝撞，避免造成意外傷害。



RACER SOLAR SCIENCE KIT 太陽能小賽車

太陽能小賽車

Pro'sKit[®]

寶工實業股份有限公司
PROKIT'S INDUSTRIES CO., LTD

新北市新店區民權路130巷7號5樓
5F, NO.7, LN. 130, MINQUAN RD., XINDIAN DIST.,
NEW TAIPEI CITY, TAIWAN Post code:231023

服務專線Tel:+886 2 2218 3233

E-mail:pk@mail.prokits.com.tw

www.proskit.com

https://shop.prokits.com.tw



©2026 Prokit's Industries Co., LTD. All rights reserved. 2026001